

# Neutrakon® Neutralizer for Condensate from Oil Condensing Boilers

## Type Booster 06/B

### Instructions for use number: 88-430-104

#### 1. Installation

(See installation sketch number: 88-700-104)

1.1 Remove the black screen out of the drain connection!

1.2 Place the activated charcoal package into the prechamber (No.8).

Shake the Neutrakon® in order to distribute the activated charcoal and granule evenly.

1.3 Floor or wall installation is possible.

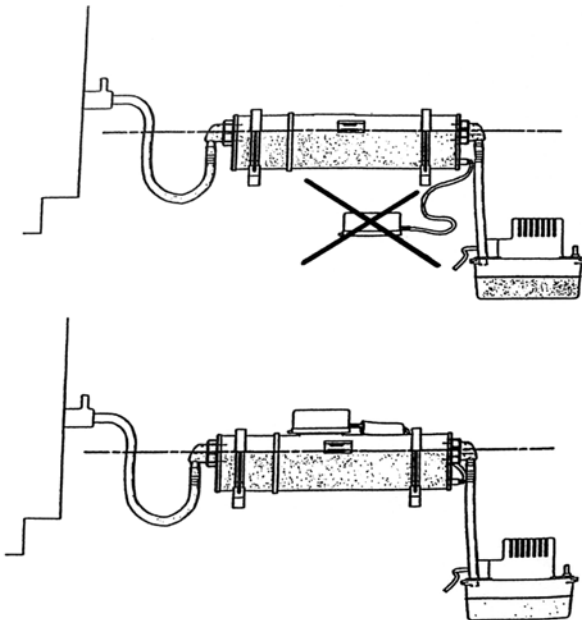
In case of floor operation with direct infeed into a condensate pump, attach the mounting feet (No.11) underneath the fixtures (No.5).

For wall installation, first attach the fixture to the wall vertically using dowels and screws (No.13). Then secure the Neutrakon® using the bracket (No.6).

1.4 Attach the booster pump (No.19) to the Neutrakon® using the hook and loop straps (No.14).

Plug in the air hose (No.18) on the booster.

Connect the cable (230V) to the burner at a suitable location so that the booster is parallel to the burner.



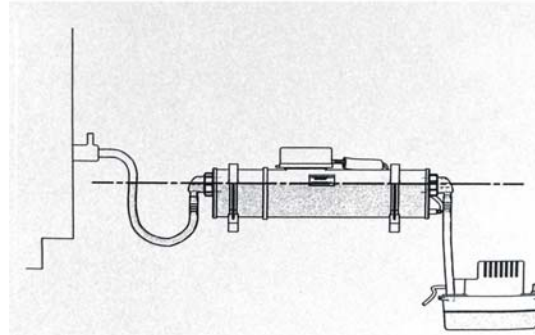
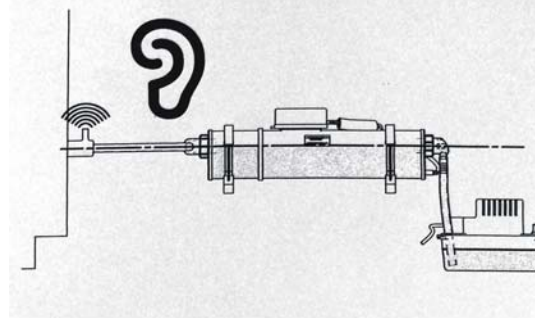
**Caution! Risk of electric shock!**

In order to avoid the flow back of the condensate in the booster, always attach it securely to the neutralisation.

All electrical work must be carried out by a specialist.

1.5 Connect the inlet nozzle (No.1) to the condensate drain on the boiler.

The supply hose should form a slight dip which will prevent the generation of noise.



Condensate accumulation within the filter must be avoided in order to guarantee proper functionality of the Neutrakon®.



**Drain nozzle pointing down!**

Connect the drain to the sewer.

If self-drainage is not possible, use a condensate pump.



**1.6 Check for a tight seal!**



**1.7 The granules are not fit for consumption.**

#### 2. Operation

Condensate flows through the Neutrakon® granules and the acid is neutralized.

#### 3. Functional verification



**The Neutrakon® must be tested at least once a year!**

1. Check the fill level! If the granules level is below the maximum (red sticker, No.16), maintenance is required

2. Measure the pH value using the pH indicator rods! If the pH value is below 6.5, maintenance is required.



**3. Replace the activated charcoal at least once a year.**

Do not fill to capacity!

4. Granulate caking or possible discoloration do not affect the neutralization effects of the filter!

5. Neutralization can only take place if the liquid runs through the granules!

The granules fill level must not fall below the condensate level!



**In order to eliminate the risk of plugging, the inlet and drain nozzles must not be fully covered with granules or activated charcoal.**

#### 4. Maintenance

1. Loosen the connecting screws and remove the filter from the fixture.

2. If the granule is caking, loosen it using the enclosed cleaning rod.

3. Fill with fresh granules up to the maximum fill level indicator.



**Leave at least 3 cm of head space above the granules and / or activated charcoal.**

4. Install the Neutrakon®. Check for leaks.

#### 5. Reactivity and disposal

The granule disposes of itself. Carbonic acid in the aggressive condensate combines with the granules, forming magnesium hydrogen carbonate  $Mg(HCO_3)_2$  while the  $NO_x$  combines into magnesium nitrate  $Mg(NO_3)_2$ . Both are fully soluble salts that are very common in nature. The granule is approved for drinking water treatment.

The residual granules and active carbon can be disposed of through incineration with normal domestic waste. If this is not provided for, ask your local authorities for the method of disposal.

#### 6. Data

Characteristics		Neutralizes condensates from oil condensing boilers
Fuel		Heating oil
Nominal thermal load on the upstream heat source, max	kW/h	37
Connecting dimensions		DN 40 and / or hose 20mm
Inlet level	mm	120mm (min. 97mm)
Outlet level	mm	97mm
Dimensions	mm	With Booster: L660 – B150 – H208 Without Booster: L660 – B150 – H160
Neutralizer / fill level		Neutrakon® - granule, 4,5 kg
Activated charcoal / fill level		Activated charcoal D47, 500g
Temperature max.	°C	60
Maintenance interval – annually		annually
Condensate inlet	pH	min. pH 2,0

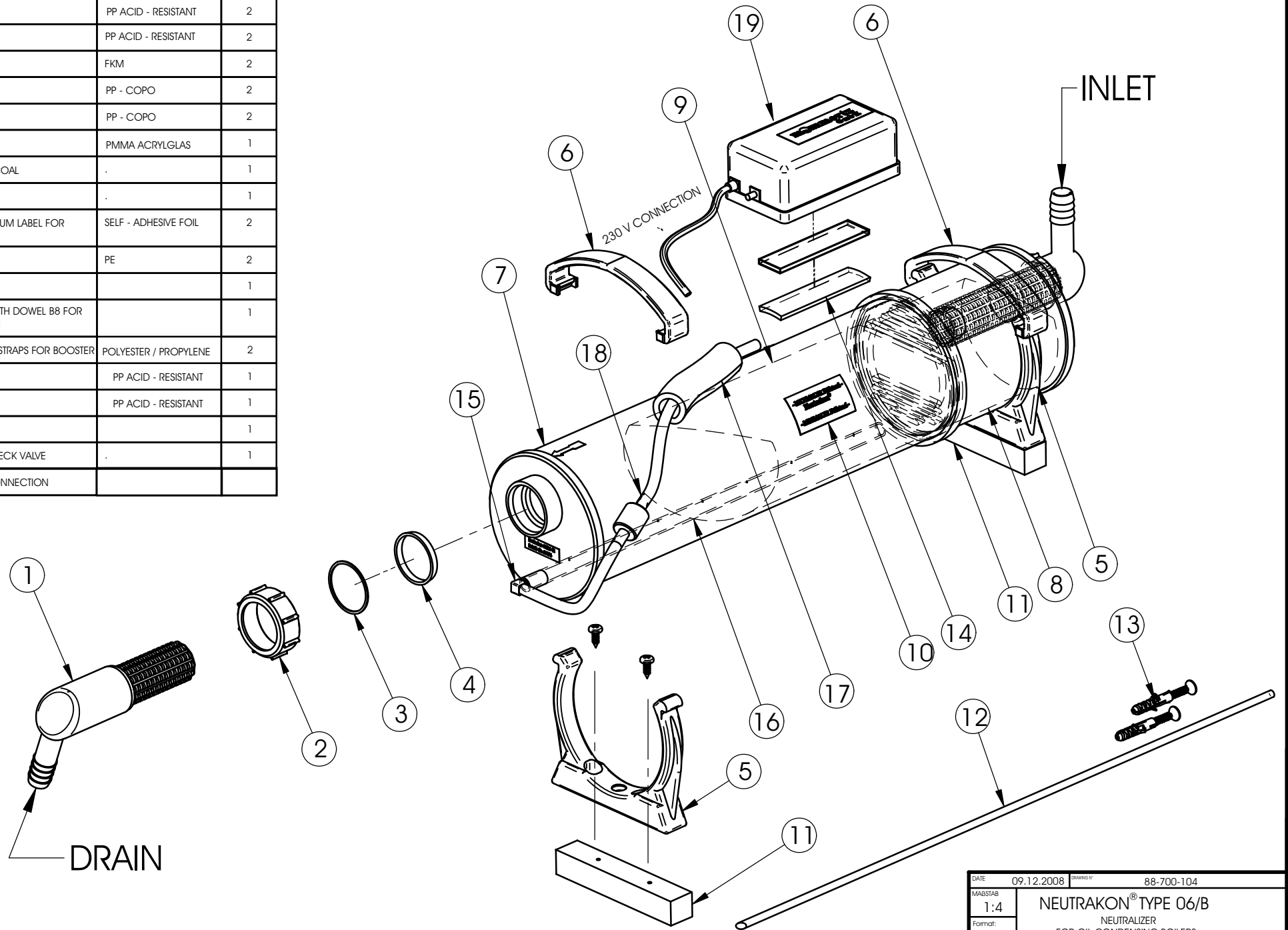
Mommertz GmbH Wasser- und Wärmetechnik

Daimlerstraße 8, D - 89312 Günzburg

Tel.: +49 (0) 8221 8238 Fax: +49 (0) 8221 38616

E-Mail: [info@mommertz.de](mailto:info@mommertz.de) Homepage: [www.neutrakon.de](http://www.neutrakon.de)

Item No.	Description	Material	Qty
1	PIPE ADAPTER Ø 40 TO 20/22mm	PP ACID - RESISTANT	2
2	CAP NUT 1/2"	PP ACID - RESISTANT	2
3	SLIDE RING	PP ACID - RESISTANT	2
4	SEAL RING	FKM	2
5	FEET / FIXTURES	PP - COPO	2
6	BRACKET	PP - COPO	2
7	FILTER HOUSING	PMMA ACRYLGLAS	1
8	ACTIVATED CHARCOAL	.	1
9	GRANULES	.	1
10	MINIMUM - MAXIMUM LABEL FOR GRANULES	SELF - ADHESIVE FOIL	2
11	MOUNTING FEET	PE	2
12	CLEANING ROD		1
13	SCREW 6.0 x 60 WITH DOWEL B8 FOR WALL INSTALLATION		1
14	HOOK AND LOOP STRAPS FOR BOOSTER	POLYESTER / PROPYLENE	2
15	HOSE ANGLE	PP ACID - RESISTANT	1
16	DIFFUSER	PP ACID - RESISTANT	1
17	FOAM RUBBER		1
18	AIR HOSE WITH CHECK VALVE	.	1
19	BOOSTER 230V CONNECTION		



DATE	09.12.2008	Drawing No.	88-700-104
MAßSTAB	1:4	NEUTRAKON® TYPE 06/B	
Format:	DIN A4	NEUTRALIZER FOR OIL CONDENSING BOILERS	